

Furniture



Double Side Chair Bench with Back Rest



Circular Bench with Back Rest



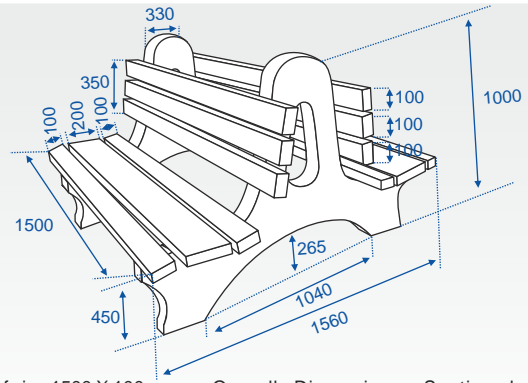
Rectangular Bench ("A" Type) with Back Rest



Konkrete Bench for placing around the pillars. Terrazzo Finish



Double Side Chair Bench with Back Rest

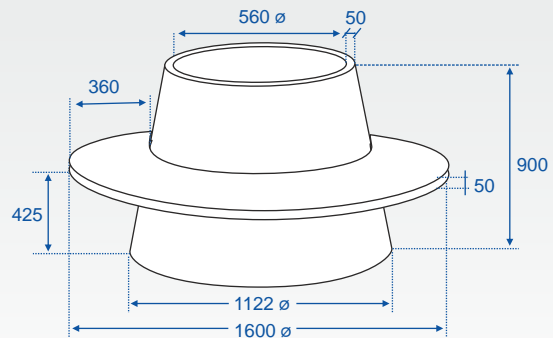


- Each bench consists of 2 Nos base support in grey cement colour (Thickness:100mm, Back height:1000 mm & Front height:450mm, Base width:1435 mm) and 10 Nos. reinforced

concrete planks in red colour of size 1500 X 100 X 50mm, and 2 No. of reinforced concrete plank of size 1500 X 200 X 50 mm (Planks can be in red color or Terazzo finish)

- Overall Dimensions: Seating length of the Bench:1500 mm on one side & 1500 mm on the opposite side; Seating height of the Bench:450 mm; Total height of the Bench:1000 mm

Circular Bench with Back Rest



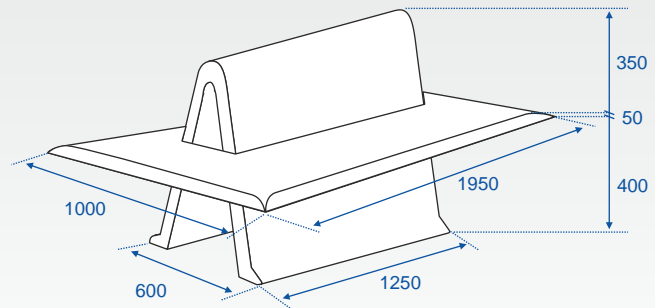
- Base Sitting Platform Size: 1600 mm dia; Height of back support: 900 mm; Bottom dia. of the base: 1122 mm; Top dia. of the base: 660 mm; Thickness of bench: 50 mm

- Manufactured by using M-30 grade of Concrete using vibro compaction process
- Reinforced suitably to promote long use and to prevent damage during handling, transportation &

erection

- Bench top is treated with special anti-corrosive, water proof coating so as to make surfaces glossy and water proof or Terrazzo finish.

Rectangular Bench ("A" Type) with Back Rest

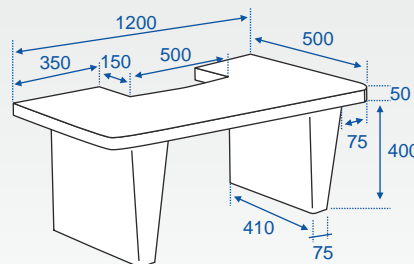


- Platform Size:1950 mm X 1000 mm X 50 mm (Thickness); Bench support (as inverted V) Size: 780 mm Height & 1250 X 600mm base
- Manufactured by using M-30 grade of Concrete

- Reinforced suitably to promote long use to prevent damage during handling, transportation & erection & long use.
- Bench top are treated with special anti-

corrosive, water proof coating so as to make surfaces glossy and water proof or Terrazzo finish.

Concrete Bench for placing around the pillars. Terrazzo Finish



- Bench Size:1200 mm X 1000 mm X 50 mm (Thickness) & height 450mm
- Manufactured by using M-30 grade of Concrete

- Reinforced suitably to promote long use to prevent damage during handling, transportation & erection & long use.
- Bench top are treated with special anti-

corrosive, water proof coating so as to make surfaces glossy and water proof or Terrazzo finish.